



# MODEL RL-3 LIGHTNING LOADER®



## Rear Mount Loads Trailers or Haul Trucks!

- Maximum reach of 20' boom includes 4' tip extension for difficult areas
- Single operator
- Counterweight increases loader stability
- Short wheelbase for better maneuverability
- over 750 cities and counties use Lightning Loaders
- 3 year structural warranty



Standard dual walk-thru controls shorten cycle times



Also available with side mounted seat or cab

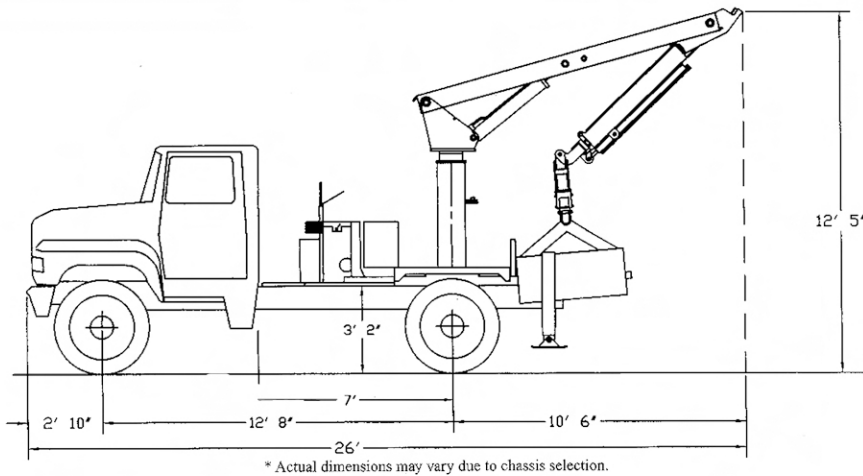


Designed to load into Petersen TT-2 trailer or separate haul trucks

**THE INDUSTRY STANDARD SINCE 1979  
EFFICIENT! VERSATILE! AFFORDABLE!**



# Specifications & Technical Data\*



## System Description

Petersen Model RL-3 rear-mounted loader is mounted to a short frame chassis. The RL-3 loads into attached dump trailers or into separate haul trucks.

## General

Reach (from centerline rotation)	20ft
Main Boom and Tip Boom	16ft
Tip Extension	4ft
Tare Weight (Empty)	18,240lbs
Front Axle Weight	5,100lbs
Rear Axle Weight	13,140lbs
Outrigger Span	11ft 8in
Storage Height	13ft 2in

## Lifting Capacities

	Over Rear	Over Side	
10ft	7,100lbs	5,500lbs	Weight of bucket and/or attachments must be subtracted from lift capacities shown. Standard bucket weighs appx. 1000lbs. Capacities shown do not exceed 85% of vehicle tipping moment with outriggers fully extended on firm, level ground.
16ft	4,400lbs	3,100lbs	
20ft	3,200lbs	1,800lbs	

## Bucket Features

The bucket is 4ft long with an opened width of 5ft between pickup blades. Anti-scalping bucket sides are pivot mounted to provide a horizontal closing action rather than a vertical digging motion. Sides are mechanically linked to single hydraulic cylinder to ensure that both sides close and open together. No hydraulic hoses below bucket rotator.

## Recommended Chassis Specification (Minimum)

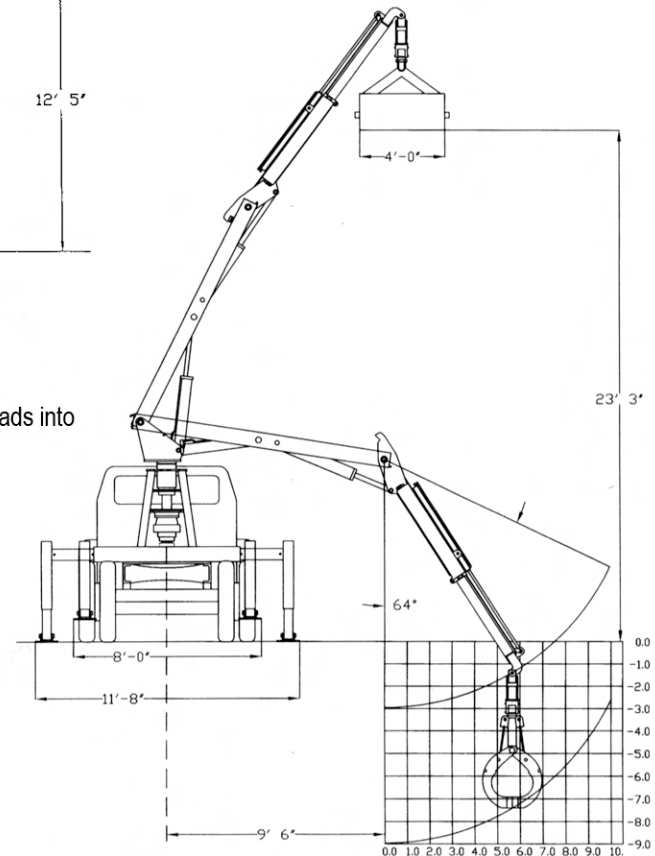
Body Style	Conventional Cab
Cab-to-Axle Dimension	84in
Front Axle Rating	9,000lbs
Rear Axle Rating	21,000lbs
Gross Vehicle Weight Rating	30,000lb
Frame RBM	900,000

## Operator Controls

Dual manual controls (greaseless) for outriggers and loader on both sides of the truck for easy access and visibility. Also available with "QuadStick" dual joystick controls. Side-mount seat controls or all-weather cab are available.

## Structural

A-frame pedestal design allows flexing under repeated load shocks. Replaceable Cast Nylon bushings used in head assembly. Head assembly is stress relieved. Reinforced connection points with hardened pins and replaceable bushings. Counterbalance valves used on boom cylinders and pilot operated check valves used on vertical outrigger cylinders.



Petersen Industries, Inc.

Your Authorized Dealer is:

**Municipal Equipment Sales, Inc.**

Mailing Address: PO Box 1233  
Location: 208 Bell Place  
Woodstock, GA 30188

Local: 770-928-0424  
Fax: 770-928-7512  
Nationwide Toll Free: 1-800-782-2243  
Email: sales@municipalequipment.com  
Web: www.municipalequipment.com

